

ICF-7601/7601L

SERVICE MANUAL



Photo: ICF-7601

*US Model
Canadian Model
AEP Model
E Model
ICF-7601*

*AEP Model
UK Model
Saudi Arabia Model
ICF-7601L*

SPECIFICATIONS

Frequency range

Type	ICF-7601L			ICF-7601	
Available countries	AEP (except West Germany, Italian) model, UK model	Italian model	Saudi Arabia model	West Germany model, Saudi Arabia model	US model, Canadian model, AEP model, E model
FM	87.6 MHz - 108 MHz	87.5 MHz - 108 MHz	87.6 MHz - 107 MHz		76 MHz - 108 MHz
MW	525 kHz - 1610 kHz				530 kHz - 1705 kHz
SW1	4.60 MHz - 5.20 MHz (60 m)			2.2 MHz - 4.2 MHz (120 m, 90 m, 75 m)	
SW2	5.80 MHz - 6.40 MHz (49 m)			4.60 MHz - 5.20 MHz (60 m)	
SW3	6.9 MHz - 7.5 MHz (41 m)			5.80 MHz - 6.40 MHz (49 m)	
SW4	9.4 MHz - 10.0 MHz (31 m)			6.9 MHz - 7.5 MHz (41 m)	
SW5	11.55 MHz - 12.15 MHz (25 m)			9.4 MHz - 10.0 MHz (31 m)	
SW6	13.45 MHz - 14.05 MHz (21 m)			11.55 MHz - 12.15 MHz (25 m)	
SW7	15.0 MHz - 15.65 MHz (19 m)			13.45 MHz - 14.05 MHz (21 m)	
SW8	17.50 MHz - 18.15 MHz (16 m)			15.0 MHz - 15.65 MHz (19 m)	
SW9	21.35 MHz - 21.95 MHz (13 m)			17.50 MHz - 18.15 MHz (16 m)	
SW10	—			21.35 MHz - 21.95 MHz (13 m)	
LW	145 kHz - 285 kHz			—	

Antennas FM/SW1/SW2-10/SW1-9*: Telescopic antenna
MW/LW*/SW1**: Built-in ferrite bar antenna
Approx. 7.7 cm (3 1/8 inches) dia.

Speaker
Power output 450 mW (at 10% harmonic distortion)
Output Earphone jack (minijack)

* ICF-7601L only
** Usually the built-in ferrite bar antenna is sufficient for SW1 (only 120 m, 90 m and 75 m band) reception. When reception is unsatisfactory, also adjust the telescopic antenna.

Note
Use only the recommended AC power adaptor or the car battery cord manufactured by Sony. Polarity of the plugs of other manufacturers may be different.



Polarity of the Sony plug

Power requirements

6 V DC, four size AA (R6) batteries
DC IN 6 V jack accepts:
• AC power adaptor AC-D4M (optional)
• car battery cord (optional)

DC 12 V	DCC-127A
DC 24 V	DCC-240

Dimensions

Approx. 192.5 x 122 x 35 mm
(7 5/8 x 4 7/8 x 1 3/16 inches) (w/h/d)

Weight

incl. projecting parts and controls
Approx. 570 g incl. batteries, not incl. other accessories

Accessories supplied

Earphone (1), Carrying case (1),
SW compact antenna (1),
Short wave guide (1)

FM/MW/SW1-10 12BAND RECEIVER

ICF-7601L:

FM/MW/LW/SW1-9 12BAND RECEIVER

SONY®

PRECAUTIONS

- Channels 5.903 MHz, 6.207 MHz, 11.503 MHz, 11.958 MHz and 21.870 MHz may be difficult to receive due to internal spurious signals generated by the built-in oscillators.

TIPS ON OPERATIONS

Battery life

Receiving band	Continuous receiving hours (available with Sony SUM-3 (NS))
SW	approx. 26 hours
FM	approx. 29 hours

Using the 'HOLD' switch

This switch deactivates the following buttons.

Band select buttons: FM, MW, LW*, SW1, SW2-10 and SW1-9
'POWER OFF' button

It is convenient to prevent accidental power on while carrying the radio, or to hold the active band during reception.

* ICF-7601L only

SERVICING NOTE

Flexible Circuit Board Repairing

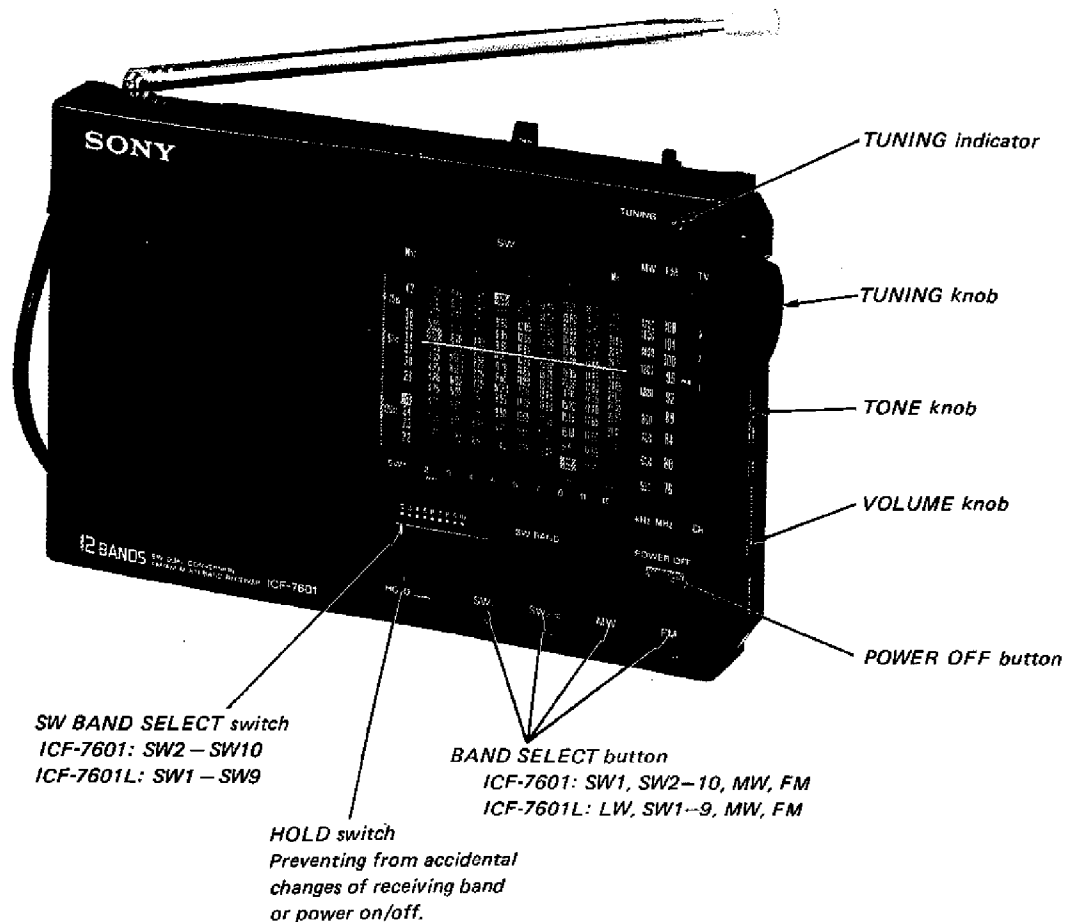
- Keep the temperature of the soldering iron around 270°C during repairing.
- Do not touch the soldering iron on the same conductor of the circuit board (within 3 times).
- Be careful not to apply force on the conductor when soldering or unsoldering.

Notes on chip component replacement

- Never reuse a disconnected chip component.
- Notice that the minus side of a tantalum capacitor may be damaged by heat.

LOCATION AND FUNCTION OF CONTROLS

Photo: ICF-7601



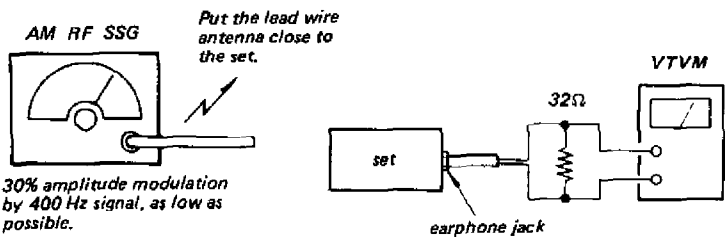
SECTION 1 ELECTRICAL ADJUSTMENTS

CONNECTIONS:

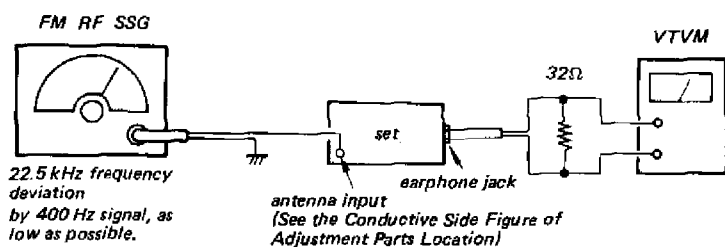
MW Section

SW1 Section ICF-7601

LW Section ICF-7601L

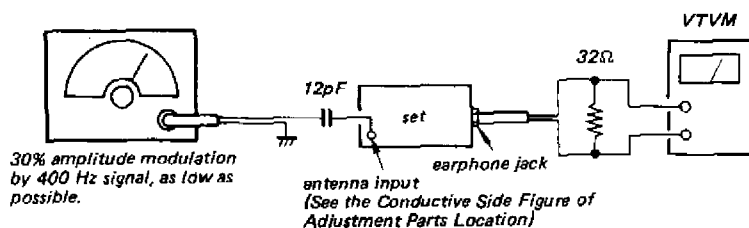


FM Section



SW2-10 Section ICF-7601

SW1-9 Section ICF-7601L



- Perform adjustments in the order given here.
- Repeat the procedures in each adjustment several times and the frequency coverage and tracking adjustment should be finally done by the trimmer capacitors.

Procedures:

- Perform each adjustment for a maximum reading on VTVM.

MW Section

Setting:

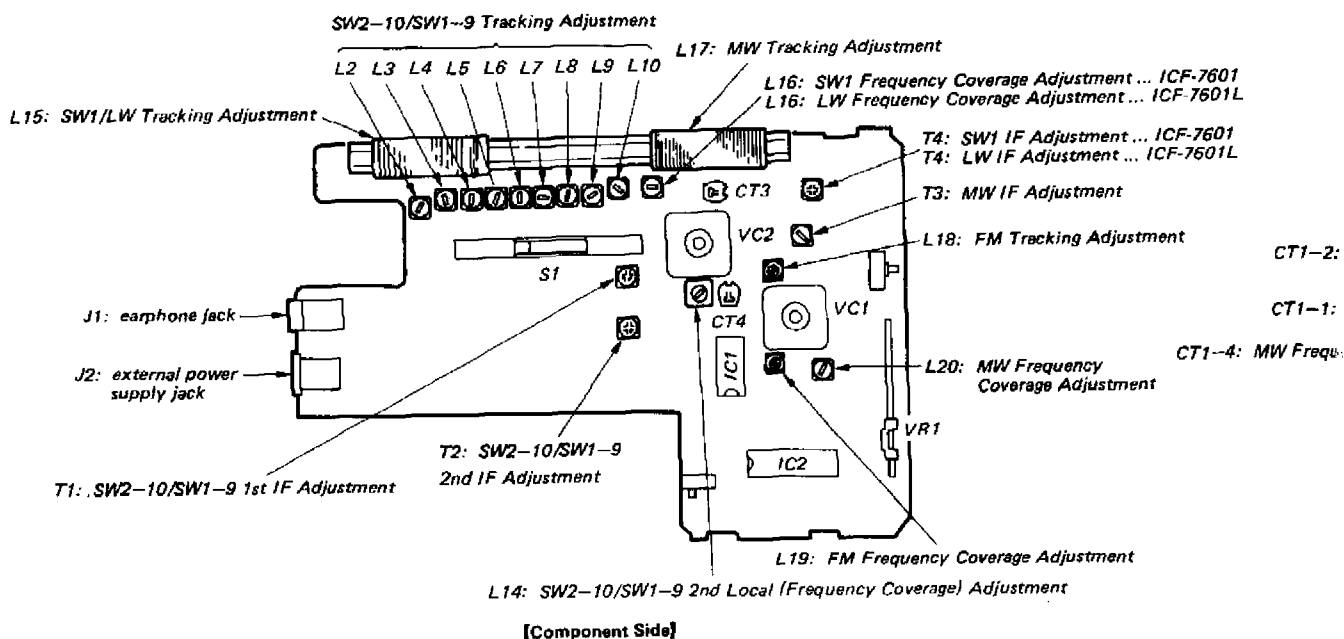
Band switch: MW
Volume: MAX

① MW IF ADJUSTMENT	
T3	455 kHz

② MW FREQUENCY COVERAGE ADJUSTMENT			
	ICF-7601		ICF-7601L
	Except West Germany, Saudi Arabia model	West Germany, Saudi Arabia model	
L20	520 kHz	515 kHz	515 kHz
CT1-4	1,750 kHz	1,633 kHz	1,633 kHz

③ MW TRACKING ADJUSTMENT			
	ICF-7601		ICF-7601L
	Except West Germany, Saudi Arabia model	West Germany, Saudi Arabia model	
L17	700 kHz	620 kHz	620 kHz
CT1-1	1,600 kHz	1,400 kHz	1,400 kHz

Adjustment Parts Location Diagrams



FM Section

Setting:

Band switch: FM
Volume: MAX

① FM FREQUENCY COVERAGE ADJUSTMENT					
	ICF-7601		ICF-7601L		
	Except West Germany, Saudi Arabia model	West Germany, Saudi Arabia model	AEP, UK model	Italian model	Saudi Arabia model
L19	75.0 MHz	87.4 MHz	87.35 MHz	87.35 MHz	87.4 MHz
CT1-3	109.5 MHz	107.75 MHz	108.6 MHz	108.25 MHz	107.75 MHz

② FM TRACKING ADJUSTMENT					
	ICF-7601		ICF-7601L		
	Except West Germany, Saudi Arabia model	West Germany, Saudi Arabia model	AEP, UK model	Italian model	Saudi Arabia model
L18	75.0 MHz	87.4 MHz	87.35 MHz	87.35 MHz	87.4 MHz
CT1-2	109.5 MHz	107.75 MHz	108.6 MHz	108.25 MHz	107.75 MHz

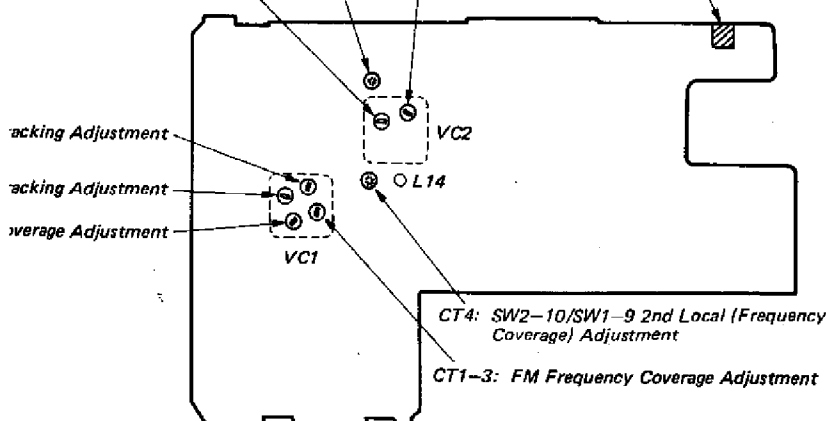
IF Adjustment is not required.

SW1 Tracking Adjustment ... ICF-7601
SW1 Tracking Adjustment ... ICF-7601L

CT3: LW Frequency Coverage Adjustment ... ICF7601L

CT2-2: SW Frequency Coverage Adjustment ... ICF7601

antenna input



[Conductive Side]

SW1 Section ICF-7601 only

Setting:

Band switch: SW1
Volume: MAX

① SW1 IF ADJUSTMENT	
T4	455 kHz

② SW1 FREQUENCY COVERAGE ADJUSTMENT	
L16	2.15 MHz
CT2-2	4.3 MHz

③ SW1 TRACKING ADJUSTMENT	
L15	2.3 MHz
CT2-1	4.0 MHz

LW Section ICF-7601L only

Setting:

Band switch: LW
Volume: MAX

① LW IF ADJUSTMENT	
T4	455 kHz

② LW FREQUENCY COVERAGE ADJUSTMENT	
L16	137 kHz
CT3	295 kHz

③ LW TRACKING ADJUSTMENT	
L15	155 kHz
CT2-1	260 kHz

SW2-10 Section ICF-7601

SW1-9 Section ICF-7601L

Setting:

Band switch: SW2-10 ICF-7601
SW1-9 ICF7601L
Volume: MAX

① SW2-10/SW1-9 2ND IF ADJUSTMENT				
T2	455 kHz			

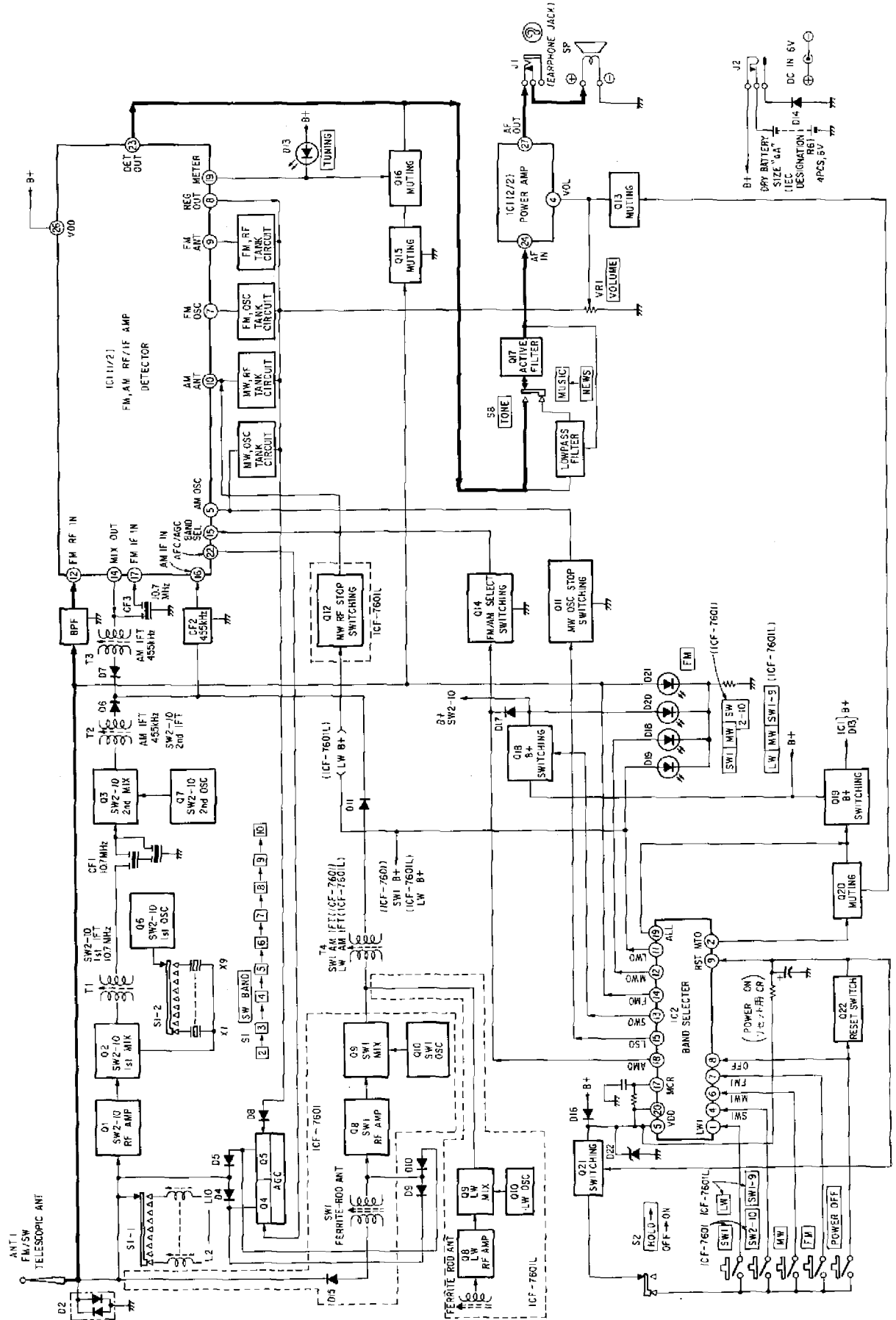
② SW2-10/SW1-9 2nd LOCAL (FREQUENCY COVERAGE) ADJUSTMENT				
ICF-7601	ICF-7601L			
SW1	SW2	CT4	4.55 MHz	
		L14	5.25 MHz	

③ SW2-10/SW1-9 TRACKING ADJUSTMENT				
ICF-7601	ICF-7601L			
SW2	SW1	4.9 MHz	T1	L2
SW3	SW2	6.1 MHz	L3	
SW4	SW3	7.2 MHz	L4	
SW5	SW4	9.7 MHz	L5	
SW6	SW5	11.85 MHz	L6	
SW7	SW6	13.75 MHz	L7	
SW8	SW7	15.325 MHz	L8	
SW9	SW8	17.825 MHz	L9	
SW10	SW9	21.65 MHz	L10	

After adjusting T1 in SW2 (ICF-7601)/SW1 (ICF-7601L) band (1st IF Adjustment), adjust each coil of L2-L10

SECTION 2
DIAGRAMS

2-1. BLOCK DIAGRAM



2-2. CIRCUIT DESCRIPTION

Description on μ PD65005C (IC2)

IC2 is a C-MOS gate-array IC which controls band switching.

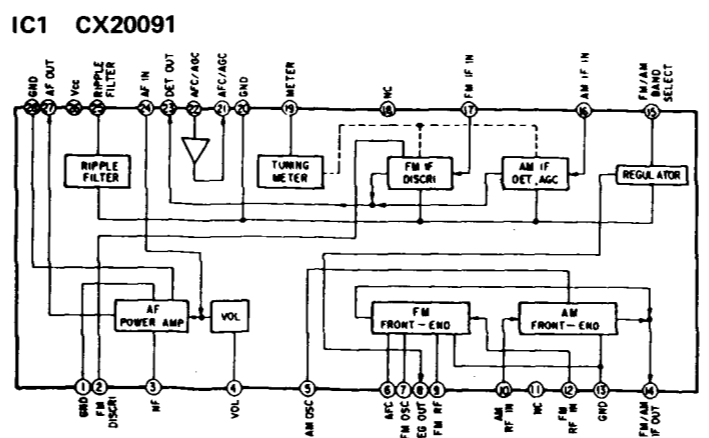
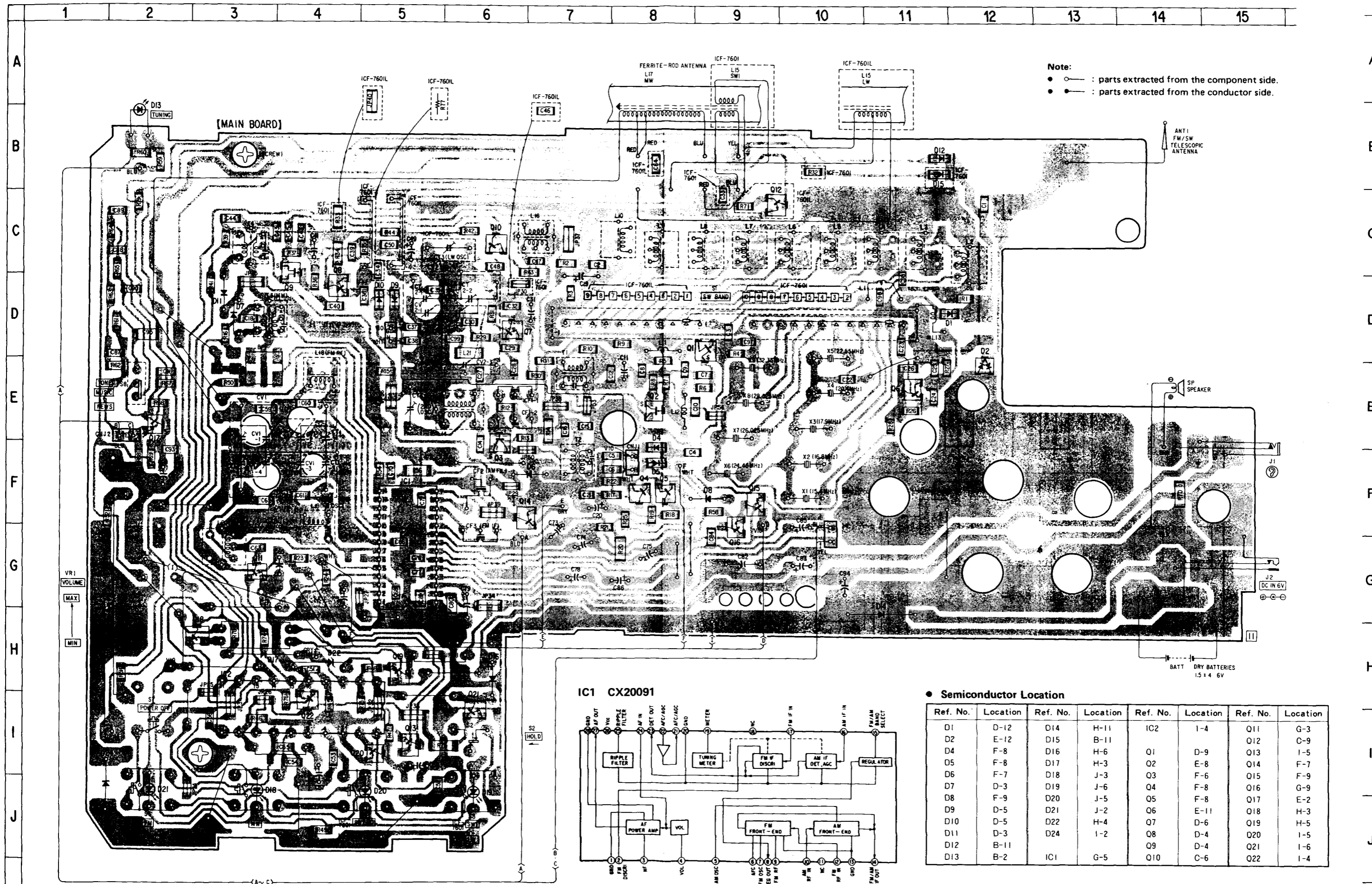
- Ambient temperature: -20 to 60°C
- Power supply voltage: 3.5 to 5.5 V
- Hysteresis voltage: 0.2 to 1.5 V
- Positive trigger voltage: 1.2 to 4.0 V
- Negative trigger Voltage: 0.4 to 3.1 V

Pin No.	Name	I/O	Function
1	LWI	I	ICF-7601 ... SW1 select signal input pin. ICF-7601L ... LW select signal input pin.
2	MTO	O	Muting signal output pin.
3	TST	I	Input pin for testing the internal circuit. Here connected to V _{DD} .
4	SWI	I	ICF-7601 ... SW2-10 select signal input pin. ICF-7601L ... SW1-9 select signal input pin.
5	V _{DD}	-	Power supply pin.
6	MWI	I	MW select signal input pin.
7	FMI	I	FM select signal input pin.
8	OFF	I	POWER OFF signal input pin. Active with "H".
9	RST	I	Reset signal input pin.
10	GND	-	Ground pin.
11	LWO	O	ICF-7601 ... SW1 select signal output pin. ICF-7601L ... LW select signal output pin. SW1 or LW: "H" Others: "L"
12	MWO	O	MW select signal output pin. MW: "H" Others: "L"
13	SWO	O	ICF-7601 ... SW2-10 select signal output pin. ICF-7601L ... SW1-9 select signal output pin. SW2-10 or SW1-9: "L" Others: "H"
14	FMO	O	FM select signal output pin. FM: "H" Others: "L"
15	LSO	O	MW oscillation control signal output pin. ICF-7601-SW1 and SW2-10/ICF-7601L ... SW1-9 and LW: "H" (to stop MW oscillation) Others: "L"
16	GND	-	Ground pin.
17	MCR	-	Time constant connecting pin for the internal mono-stable-multivibrator. To decide time-constant of MTO (pin ②)
18	AMO	O	AM/FM select signal output pin. AM: "H" FM: "L"
19	ALL	O	Main power control signal output pin. When POWER OFF switch is pressed, this pin turns "H". Otherwise "L".
20	V _{DD}	-	Power supply pin.

2-3. Semiconductor Lead Layouts

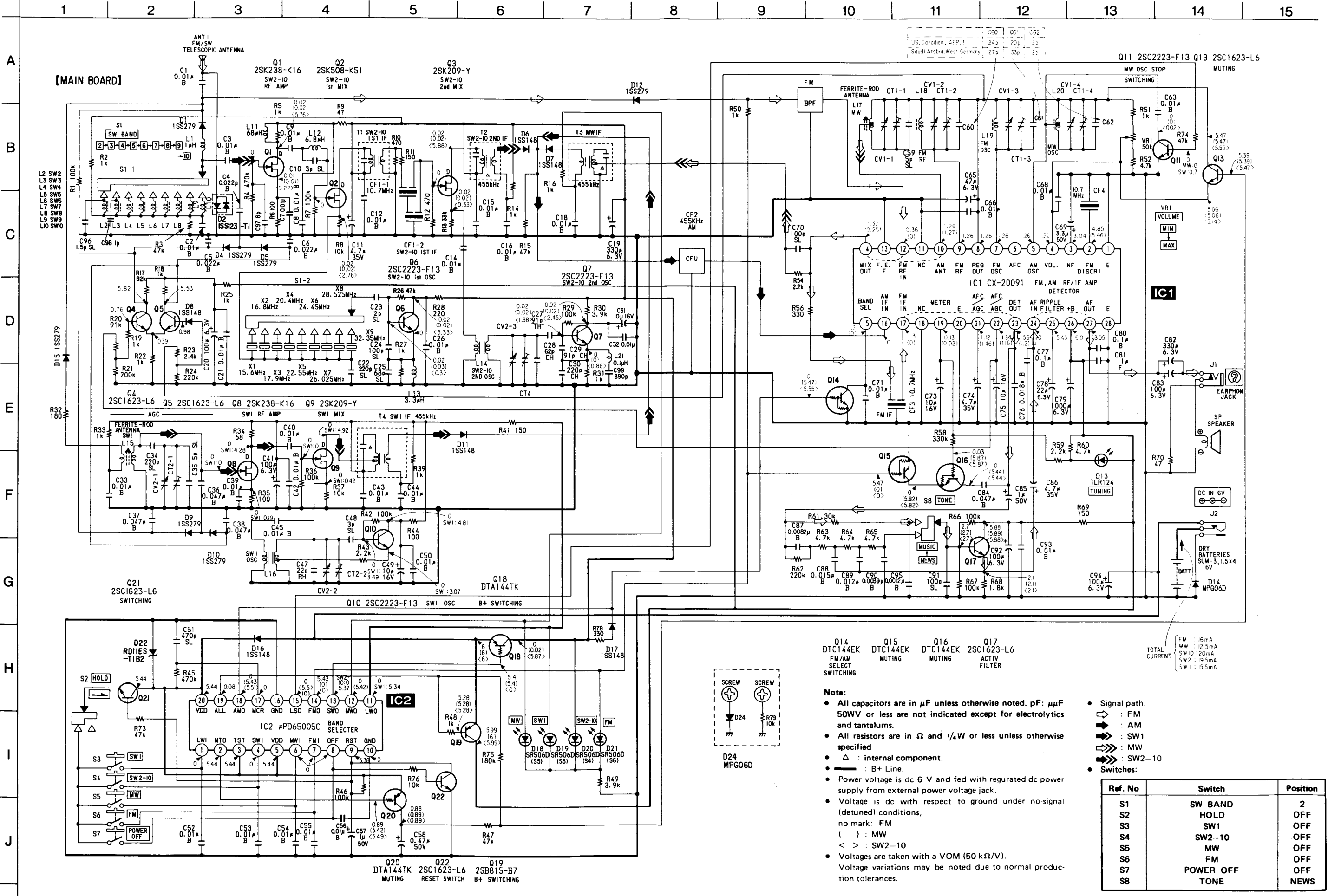
<p>1SS279</p>	<p>MPG06D-6052</p>	<p>TLR124</p>	<p>CX20091</p>	<p>2SB815 2SC1623 2SC2223-F13 DTA144TK DTC144EK</p>
<p>1SS119 RD11ES-B2</p>	<p>1SS123</p>	<p>μPD65005C-198</p>	<p>2SK238-K16</p>	<p>2SK508-K51 2SK94-X2</p>

• Refer to page 6 for Semiconductor Lead Layouts.



• Semiconductor Location

Ref. No.	Location	Ref. No.	Location	Ref. No.	Location	Ref. No.	Location
D1	D-12	D14	H-11	IC2	I-4	Q11	G-3
D2	E-12	D15	B-11			Q12	C-9
D4	F-8	D16	H-6	O1	D-9	Q13	I-5
D5	F-8	D17	H-3	O2	E-8	Q14	F-7
D6	F-7	D18	J-3	O3	F-6	Q15	F-9
D7	D-3	D19	J-6	O4	F-8	Q16	G-9
D8	F-9	D20	J-5	O5	F-8	Q17	E-2
D9	D-5	D21	J-2	O6	E-11	Q18	H-3
D10	D-5	D22	H-4	O7	D-6	Q19	H-5
D11	D-3	D24	I-2	O8	D-4	Q20	I-5
D12	B-11			O9	D-4	Q21	I-6
D13	B-2	IC1	G-5	Q10	C-6	Q22	I-4

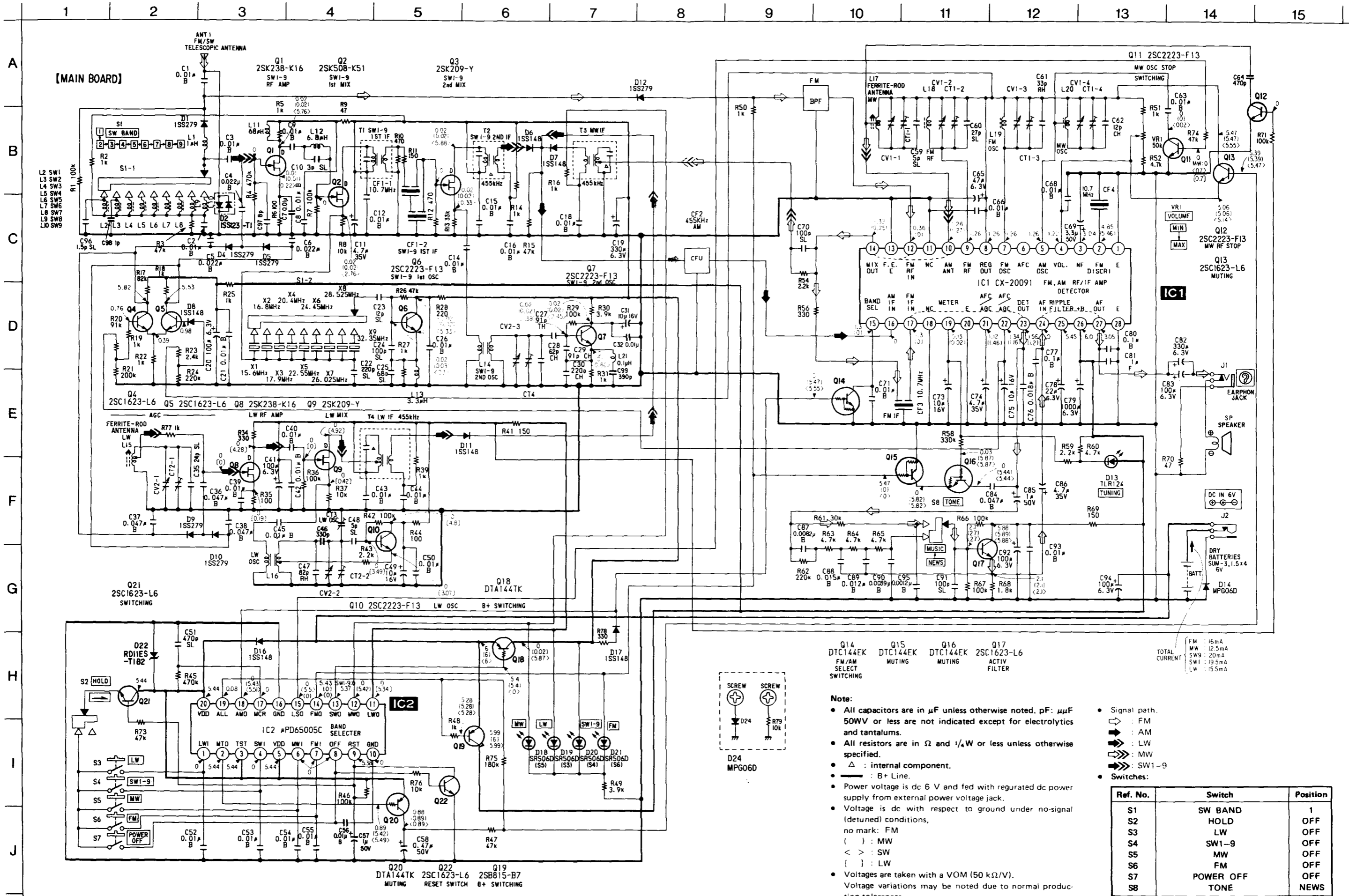


Q14 DTC144EK FM/AM SELECT SWITCHING
 Q15 DTC144EK MUTING
 Q16 DTC144EK MUTING
 Q17 2SC1623-L6 ACTIV FILTER

- Note:**
- All capacitors are in μF unless otherwise noted. pF : μF 50WV or less are not indicated except for electrolytics and tantalums.
 - All resistors are in Ω and $\frac{1}{4}\text{W}$ or less unless otherwise specified
 - Δ : internal component.
 - Power voltage is dc 6 V and fed with regulated dc power supply from external power voltage jack.
 - Voltage is dc with respect to ground under no-signal (detuned) conditions, no mark: FM
 (): MW
 < > : SW2-10
 - Voltages are taken with a VOM (50 $\text{k}\Omega/\text{V}$). Voltage variations may be noted due to normal production tolerances.

- Signal path.
- FM
- AM
- SW1
- MW
- SW2-10
- Switches:

Ref. No	Switch	Position
S1	SW BAND	2
S2	HOLD	OFF
S3	SW1	OFF
S4	SW2-10	OFF
S5	MW	OFF
S6	FM	OFF
S7	POWER OFF	OFF
S8	STONE	NEWS



Q14 DTC144EK FM/AM SELECT SWITCHING
 Q15 DTC144EK MUTING
 Q16 DTC144EK MUTING
 Q17 2SC1623-L6 ACTIV FILTER

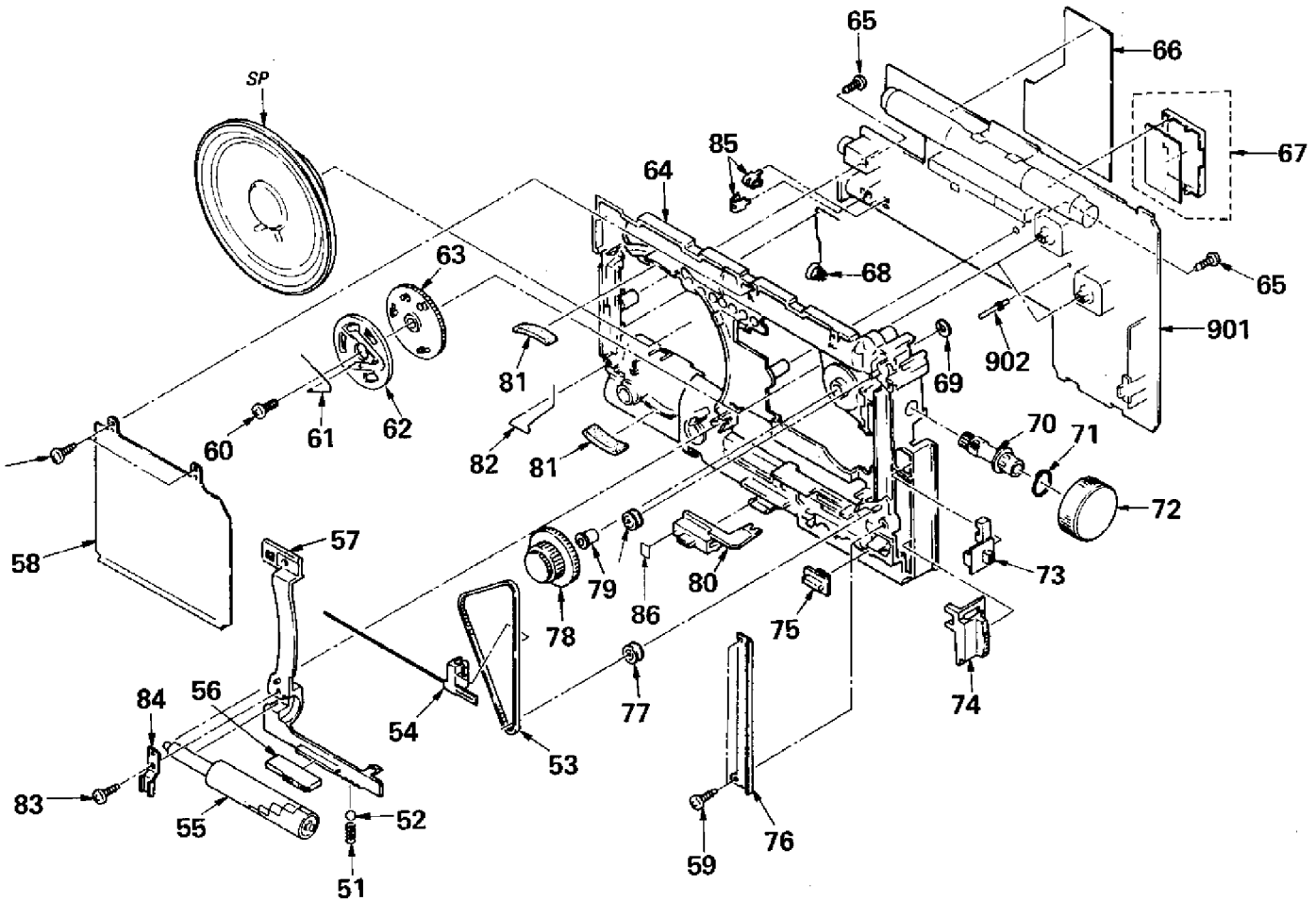
TOTAL CURRENT
 FM: 16mA
 MW: 12.5mA
 SW: 20mA
 SW1: 19.5mA
 LW: 15.5mA

- Note:**
- All capacitors are in μF unless otherwise noted. $\text{pF} = \mu\text{F} / 100$ and tantalums.
 - All resistors are in Ω and $1/4\text{W}$ or less unless otherwise specified.
 - Δ : internal component.
 - : B+ Line.
 - Power voltage is dc 6 V and fed with regulated dc power supply from external power voltage jack.
 - Voltage is dc with respect to ground under no-signal (detuned) conditions, no mark: FM
 - (): MW
 - < >: SW
 - []: LW
 - Voltagcs are taken with a VOM (50 k Ω /V).
 - Voltage variations may be noted due to normal production tolerances.

• Signal path:
 ◀: FM
 ▶: AM
 ◀▶: LW
 ◀▶▶: MW
 ◀▶▶▶: SW1-9
 • Switches:

Ref. No.	Switch	Position
S1	SW BAND	1
S2	HOLD	OFF
S3	LW	OFF
S4	SW1-9	OFF
S5	MW	OFF
S6	FM	OFF
S7	POWER OFF	OFF
S8	STONE	NEWS

3-2. MECHANISM SECTION



No.	Part No.	Description	Remarks
51	3-899-834-01	SPRING, COMPRESSION	
52	7-671-113-02	STEEL BALL 3.0	
53	3-334-071-01	BELT, TUNING	
54	3-899-814-01	POINTER	
55	3-899-821-01	DRUM, INDICATE	
56	3-899-833-01	KNOB (INDICATOR)	
57	3-899-820-01	SLIDER, SELECTION	
58	3-899-801-11	SCALE, DIAL	
59	3-703-454-00	SCREW, TAPPING	
60	3-714-118-01	SCREW (1.7X4)	
61	3-899-810-01	SPRING (DIAL)	
62	*3-899-808-01	GEAR (A), DIAL DRUM	
63	*3-899-809-01	GEAR (B), DIAL DRUM	
64	*3-899-838-01	CHASSIS	
65	7-685-646-79	SCREW +P 3X8 TYPE2 NON-SLIT	
66	*3-899-839-01	INSULATOR	
67	*X-3899-803-1	PLATE (A) ASSY, SHIELD	
68	3-899-816-01	TERMINAL (-), BATTERY	
69	3-899-829-01	WASHER (SLIT)	
70	3-899-812-01	SHAFT, TUNING	
71	3-899-813-01	SPRING	
72	3-899-831-01	KNOB (TUNING)	

No.	Part No.	Description	Remarks
73	3-899-824-01	KNOB (TONE)	
74	3-899-825-01	KNOB (VOL)	
75	3-899-822-01	BUTTON (POWER OFF)	
76	3-899-826-01	PLATE, BACK	
77	3-304-108-00	PULLEY	
78	*3-899-811-01	GEAR, MIDWAY	
79	*3-899-828-01	BEARING	
80	3-899-832-01	KNOB (HOLD)	
81	3-881-931-00	CUSHION, SPEAKER	
82	3-899-817-01	TERMINAL (+), BATTERY	
83	3-893-942-01	SCREW (1.7X4), TAPPING (B)	
84	*3-899-844-01	RETAINER	
85	*3-899-818-01	PLATE (BATTERY), CONTACT	
86	*3-899-845-01	MARKER	
901	A-3660-741-A	(US,Canadian,7601 AEP,7601 E)	
	MOUNTED PCB, MAIN	
	A-3660-742-A	(7601L)....MOUNTED PCB, MAIN	
	A-3660-755-A	(7601 Saudi Arabia,7601 West Germany)	
	MOUNTED PCB, MAIN	
902	*1-535-650-11	TERMINAL	
SP	1-502-631-00	SPEAKER	

SECTION 4

ELECTRICAL PARTS LIST

NOTE:

- Due to standardization, replacements in the parts list may be different from the parts specified in the diagrams or the components used on the set.
- Items marked "*" are not stocked since they are seldom required for routine service. Some delay should be anticipated when ordering these items.
- If there are two or more same circuits in a set such as a stereophonic machine, only typical circuit parts may be indicated and capacitors and resistors in other same circuits may be omitted.

CAPACITORS:MF: μ F, PF: μ MF.**RESISTORS**

- All resistors are in ohms.
- F: nonflammable

COILS

- MMH: mH, UH: μ H

SEMICONDUCTORSIn each case, U: μ , for example:UA...: μ A..., UPA...: μ PA...,UPC...: μ PC, UPD...: μ PD...

Ref.No.	Part No.	Description	Ref.No.	Part No.	Description			
901	A-3660-741-A	(US,Canadian,7601 AEP,7601 E)MOUNTED PCB, MAIN	C36	1-163-035-00	CERAMIC CHIP 0.047MF	10%	25V	
	A-3660-742-A	(7601L)....MOUNTED PCB, MAIN	C37	1-163-035-00	CERAMIC CHIP 0.047MF	10%	25V	
	A-3660-755-A	(7601 Saudi Arabia,7601 West Germany)MOUNTED PCB, MAIN	C38	1-163-035-00	CERAMIC CHIP 0.047MF	10%	25V	
902	*1-535-650-11	TERMINAL	C39	1-163-021-00	CERAMIC CHIP 0.01MF	10%	50V	
ANT1	1-501-402-11	ANTENNA, TELESCOPIC	C40	1-163-021-00	CERAMIC CHIP 0.01MF	10%	50V	
BPF	1-236-053-11	(7601 Saudi Arabia,7601 West Germany, 7601L)....FILTER, BAND PASS	C41	1-124-225-00	ELECT 100MF	20%	6.3V	
BPF	1-236-069-21	(US,Canadian,7601 AEP,7601 E)FILTER, BAND PASS	C42	1-163-021-00	CERAMIC CHIP 0.01MF	10%	50V	
C1	1-163-021-00	CERAMIC CHIP 0.01MF	10%	50V				
C2	1-163-021-00	CERAMIC CHIP 0.01MF	10%	50V				
C3	1-163-021-00	CERAMIC CHIP 0.01MF	10%	50V				
C4	1-163-037-11	CERAMIC CHIP 0.022MF	10%	25V				
C5	1-163-037-11	CERAMIC CHIP 0.022MF	10%	25V				
C6	1-163-037-11	CERAMIC CHIP 0.022MF	10%	25V				
C7	1-163-021-00	CERAMIC CHIP 0.01MF	10%	50V				
C8	1-163-021-00	CERAMIC CHIP 0.01MF	10%	50V				
C9	1-163-021-00	CERAMIC CHIP 0.01MF	10%	50V				
C10	1-163-086-00	CERAMIC CHIP 3PF	0.25PF	50V				
C11	1-124-245-00	ELECT 4.7MF	20%	35V				
C12	1-163-021-00	CERAMIC CHIP 0.01MF	10%	50V				
C14	1-163-021-00	CERAMIC CHIP 0.01MF	10%	50V				
C15	1-163-021-00	CERAMIC CHIP 0.01MF	10%	50V				
C16	1-163-021-00	CERAMIC CHIP 0.01MF	10%	50V				
C18	1-163-021-00	CERAMIC CHIP 0.01MF	10%	50V				
C19	1-124-442-00	ELECT 330MF	20%	6.3V				
C20	1-124-225-00	ELECT 100MF	20%	6.3V				
C21	1-163-021-00	CERAMIC CHIP 0.01MF	10%	50V				
C22	1-163-125-00	CERAMIC CHIP 220PF	5%	50V				
C23	1-163-095-00	CERAMIC CHIP 12PF	5%	50V				
C24	1-163-117-00	CERAMIC CHIP 100PF	5%	50V				
C25	1-163-113-00	CERAMIC CHIP 68PF	5%	50V				
C26	1-163-021-00	CERAMIC CHIP 0.01MF	10%	50V				
C27	1-163-116-00	CERAMIC CHIP 91PF	5%	50V				
C28	1-163-112-00	CERAMIC CHIP 62PF	5%	50V				
C29	1-163-116-00	CERAMIC CHIP 91PF	5%	50V				
C30	1-163-125-00	CERAMIC CHIP 220PF	5%	50V				
C31	1-124-462-00	ELECT 10MF	20%	16V				
C32	1-163-021-00	CERAMIC CHIP 0.01MF	10%	50V				
C33	1-163-021-00	(7601)...CERAMIC CHIP 0.01MF	10%	50V				
C34	1-163-125-00	(7601)...CERAMIC CHIP 220PF	5%	50V				
C35	1-163-088-00	(7601)...CERAMIC CHIP 5PF 0.25PF	50V					
C35	1-163-102-00	(7601L)...CERAMIC CHIP 24PF	5%	50V				
C36	1-163-035-00	CERAMIC CHIP 0.047MF	10%	25V				
C37	1-163-035-00	CERAMIC CHIP 0.047MF	10%	25V				
C38	1-163-035-00	CERAMIC CHIP 0.047MF	10%	25V				
C39	1-163-021-00	CERAMIC CHIP 0.01MF	10%	50V				
C40	1-163-021-00	CERAMIC CHIP 0.01MF	10%	50V				
C41	1-124-225-00	ELECT 100MF	20%	6.3V				
C42	1-163-021-00	CERAMIC CHIP 0.01MF	10%	50V				
C43	1-163-021-00	CERAMIC CHIP 0.01MF	10%	50V				
C44	1-163-021-00	CERAMIC CHIP 0.01MF	10%	50V				
C45	1-163-021-00	CERAMIC CHIP 0.01MF	10%	50V				
C46	1-163-129-00	(7601L)...CERAMIC CHIP 330PF	5%	50V				
C47	1-163-101-00	(7601)...CERAMIC CHIP 22PF	5%	50V				
C47	1-163-115-00	(7601L)...CERAMIC CHIP 82PF	5%	50V				
C48	1-163-086-00	(7601)...CERAMIC CHIP 3PF 0.25PF	50V					
C48	1-163-088-00	(7601L)...CERAMIC CHIP 5PF 0.25PF	50V					
C49	1-124-462-00	ELECT 10MF	20%	16V				
C50	1-163-021-00	CERAMIC CHIP 0.01MF	10%	50V				
C51	1-163-133-00	CERAMIC CHIP 470PF	5%	50V				
C52	1-163-021-00	CERAMIC CHIP 0.01MF	10%	50V				
C53	1-163-021-00	CERAMIC CHIP 0.01MF	10%	50V				
C54	1-163-021-00	CERAMIC CHIP 0.01MF	10%	50V				
C55	1-163-021-00	CERAMIC CHIP 0.01MF	10%	50V				
C56	1-163-021-00	CERAMIC CHIP 0.01MF	10%	50V				
C57	1-124-255-00	ELECT 1MF	20%	50V				
C58	1-124-465-00	ELECT 0.47MF	20%	50V				
C59	1-163-088-00	CERAMIC CHIP 5PF	0.25PF	50V				
C60	1-163-102-00	(US,Canadian,7601 AEP,7601 E)CERAMIC CHIP 24PF	5%	50V				
C60	1-163-103-00	(7601 Saudi Arabia, 7601 West Germany, 7601L)CERAMIC CHIP 27PF	5%	50V				
C61	1-163-100-00	(US,Canadian,7601 AEP,7601 E) ...CERAMIC CHIP 20PF	5%	50V				
C61	1-163-105-00	(7601 Saudi Arabia, 7601 West Germany, 7601L) ...CERAMIC CHIP 33PF	5%	50V				
C62	1-163-092-00	(US,Canadian,7601 AEP,7601 E) ...CERAMIC CHIP 9PF	0.25PF	50V				
C62	1-163-095-00	(7601 Saudi Arabia, 7601 West Germany, 7601L) ...CERAMIC CHIP 12PF	5%	50V				
C63	1-163-021-00	CERAMIC CHIP 0.01MF	10%	50V				
C64	1-163-133-00	(7601L)...CERAMIC CHIP 470PF	5%	50V				

Ref.No.	Part No.	Description
C65	1-124-224-00	ELECT 47MF 20% 6.3V
C66	1-163-021-00	CERAMIC CHIP 0.01MF 10% 50V
C68	1-163-021-00	CERAMIC CHIP 0.01MF 10% 50V
C69	1-124-258-00	ELECT 3.3MF 20% 50V
C70	1-163-117-00	CERAMIC CHIP 100PF 5% 50V
C71	1-163-021-00	CERAMIC CHIP 0.01MF 10% 50V
C73	1-124-462-00	ELECT 10MF 20% 16V
C74	1-124-245-00	ELECT 4.7MF 20% 35V
C75	1-124-462-00	ELECT 10MF 20% 16V
C76	1-163-024-00	CERAMIC CHIP 0.018MF 10% 50V
C77	1-163-077-00	CERAMIC CHIP 0.1MF 10% 25V
C78	1-124-222-00	ELECT 22MF 20% 6.3V
C79	1-124-471-00	ELECT 1000MF 20% 6.3V
C80	1-163-077-00	CERAMIC CHIP 0.1MF 10% 25V
C81	1-162-638-11	CERAMIC CHIP 1MF 16V
C82	1-124-442-00	ELECT 330MF 20% 6.3V
C83	1-124-225-00	ELECT 100MF 20% 6.3V
C84	1-163-035-00	CERAMIC CHIP 0.047MF 10% 25V
C85	1-124-255-00	ELECT 1MF 20% 50V
C86	1-124-245-00	ELECT 4.7MF 20% 35V
C87	1-163-020-00	CERAMIC CHIP 0.0082MF 10% 50V
C88	1-163-023-00	CERAMIC CHIP 0.015MF 10% 50V
C89	1-163-022-00	CERAMIC CHIP 0.012MF 10% 50V
C90	1-163-016-00	CERAMIC CHIP 0.0039MF 10% 50V
C91	1-163-117-00	CERAMIC CHIP 100PF 5% 50V
C92	1-124-225-00	ELECT 100MF 20% 6.3V
C93	1-163-021-00	CERAMIC CHIP 0.01MF 10% 50V
C94	1-124-225-00	ELECT 100MF 20% 6.3V
C95	1-163-207-00	CERAMIC CHIP 0.0012MF 10% 50V
C96	1-163-084-00	CERAMIC CHIP 1.5PF 0.25PF 50V
C97	1-163-091-00	CERAMIC CHIP 8PF 0.25PF 50V
C98	1-163-083-00	CERAMIC CHIP 1PF 0.25PF 50V
C99	1-163-131-00	CERAMIC CHIP 390PF 5% 50V
CF1	1-577-047-11	FILTER, CERAMIC 10.7MHz (7601:SW2-10 1ST IF,7601L:SW1-9 1ST IF)
CF2	1-527-982-00	FILTER, CERAMIC 455kHz (AM IF)
CF3	1-567-311-71	FILTER, CERAMIC 10.7MHz (FM IF)
CF4	1-567-311-71	FILTER, CERAMIC 10.7MHz (FM DISCRI)
CT3	1-141-318-31	(7601L)...CAP,VAR, TRIMMER 20P (LW OSC)
CT4	1-141-318-31	CAP, VAR, TRIMMER (7601:SW2-10 2ND OSC,7601L:SW1-9 2ND OSC)
CV1	1-151-569-21	(7601)...CAP, VAR, POLYETHYLENE (including CT1)
CV1	1-151-592-11	(7601L)...CAP, VARIABLE (including CT1)
CV2	1-151-593-11	CAP, VARIABLE (including CT2)

Ref.No.	Part No.	Description
D1	8-719-123-79	DIODE 1SS279
D2	8-719-101-23	DIODE 1SS123
D4	8-719-123-79	DIODE 1SS279
D5	8-719-123-79	DIODE 1SS279
D6	8-719-911-19	DIODE 1SS119
D7	8-719-911-19	DIODE 1SS119
D8	8-719-911-19	DIODE 1SS119
D9	8-719-123-79	DIODE 1SS279
D10	8-719-123-79	DIODE 1SS279
D11	8-719-911-19	DIODE 1SS119
D12	8-719-123-79	DIODE 1SS279
D13	8-719-812-41	DIODE TL124 (TUNING)
D14	8-719-950-59	DIODE MPG06D-6052
D15	8-719-123-79	(7601)...DIODE 1SS279
D16	8-719-911-19	DIODE 1SS119
D17	8-719-911-19	DIODE 1SS119
D22	8-719-110-22	DIODE RD11ES-82
D24	8-719-950-59	DIODE MPG06D-6052
IC1	8-752-009-10	IC CX20091
IC2	8-759-141-09	IC UPD65005C-198
J1	1-507-678-00	JACK (EARPHONE)
J2	1-507-954-11	JACK, EXTERNAL POWER (DC IN 6V)
JP24	1-216-295-00	METAL GLAZE 0 5% 1/10W
JP25	1-216-295-00	METAL GLAZE 0 5% 1/10W
JP26	1-216-295-00	METAL GLAZE 0 5% 1/10W
JP27	1-216-295-00	METAL GLAZE 0 5% 1/10W
JP28	1-216-295-00	METAL GLAZE 0 5% 1/10W
JP29	1-216-295-00	METAL GLAZE 0 5% 1/10W
JP30	1-216-295-00	(7601)...METAL GLAZE 0 5% 1/10W
JP31	1-216-296-00	METAL GLAZE 0 5% 1/8W
JP32	1-216-296-00	METAL GLAZE 0 5% 1/8W
JP33	1-216-296-00	METAL GLAZE 0 5% 1/8W
JP34	1-216-296-00	METAL GLAZE 0 5% 1/8W
JP35	1-216-296-00	METAL GLAZE 0 5% 1/8W
JP36	1-216-296-00	METAL GLAZE 0 5% 1/8W
JP37	1-216-296-00	METAL GLAZE 0 5% 1/8W
JP38	1-216-296-00	METAL GLAZE 0 5% 1/8W
JP39	1-216-296-00	METAL GLAZE 0 5% 1/8W
JP40	1-216-296-00	(7601)...METAL GLAZE 0 5% 1/8W
JP50	1-216-295-00	METAL GLAZE 0 5% 1/10W
JP53	1-216-295-00	METAL GLAZE 0 5% 1/10W
JP54	1-216-295-00	METAL GLAZE 0 5% 1/10W
L1	1-410-316-11	INDUCTOR 1UH
L2	1-402-352-21	COIL (ANT)(7601:SW2,7601L:SW1)
L3	1-402-352-21	COIL (ANT)(7601:SW3,7601L:SW2)

Ref.No.	Part No.	Description	Ref.No.	Part No.	Description
L4	1-402-351-21	COIL (ANT)(7601:SW4,7601L:SW3)	Q19	8-729-800-68	TRANSISTOR 2S8B15
L5	1-402-351-21	COIL (ANT)(7601:SW5,7601L:SW4)	Q20	8-729-903-29	TRANSISTOR DTA144TK
L6	1-402-350-21	COIL (ANT)(7601:SW6,7601L:SW5)	Q21	8-729-100-66	TRANSISTOR 2SC1623
L7	1-402-350-21	COIL (ANT)(7601:SW7,7601L:SW6)	Q22	8-729-100-66	TRANSISTOR 2SC1623
L8	1-402-349-21	COIL (ANT)(7601:SW8,7601L:SW7)	R1	1-216-097-00	METAL GLAZE 100K 5% 1/10W
L9	1-402-349-21	COIL (ANT)(7601:SW9,7601L:SW8)	R2	1-216-049-00	METAL GLAZE 1K 5% 1/10W
L10	1-402-348-21	COIL (ANT)(7601:SW10,7601L:SW9)	R3	1-216-089-00	METAL GLAZE 47K 5% 1/10W
L11	1-410-333-31	INDUCTOR 68UH	R4	1-216-113-00	METAL GLAZE 470K 5% 1/10W
L12	1-410-326-11	INDUCTOR 6.8UH	R5	1-216-049-00	METAL GLAZE 1K 5% 1/10W
L13	1-410-322-11	INDUCTOR 3.3UH	R6	1-216-025-00	METAL GLAZE 100 5% 1/10W
L14	1-406-276-11	COIL (OSC) (7601:SW2-10 2ND,7601L:SW1-9 2ND)	R7	1-216-097-00	METAL GLAZE 100K 5% 1/10W
L15	1-402-347-11	(7601L)...ANTENNA,FERRITE-ROD (LW/MW) (including L17)	R8	1-216-073-00	METAL GLAZE 10K 5% 1/10W
L15	1-402-353-11	(US,Canadian,7601 AEP,7601 E)...ANTENNA, FERRITE-ROD (MW/SW1)(including L17)	R9	1-216-017-00	METAL GLAZE 47 5% 1/10W
L15	1-402-370-11	(7601 Saudi Arabia,7601 West Germany) ...ANTENNA,FERRITE-ROD (MW/SW1)(including L17)	R10	1-216-041-00	METAL GLAZE 470 5% 1/10W
L16	1-406-274-21	(7601L)...COIL (OSC)(LW)	R11	1-216-029-00	METAL GLAZE 150 5% 1/10W
L16	1-406-275-21	(7601)...COIL (OSC)(SW1)	R12	1-216-041-00	METAL GLAZE 470 5% 1/10W
L18	1-459-435-00	COIL (WITH CORE)(FM RF)	R13	1-216-085-00	METAL GLAZE 33K 5% 1/10W
L19	1-459-436-00	(US,Canadian,7601 AEP,7601 E) ...COIL (WITH CORE)(FM OSC)	R14	1-216-198-00	METAL GLAZE 1K 5% 1/8W
L19	1-459-465-00	(7601 Saudi Arabia,7601 West Germany, 7601L)...COIL (WITH CORE)(FM OSC)	R15	1-216-089-00	METAL GLAZE 47K 5% 1/10W
L20	1-405-989-41	COIL, OSC (MW OSC)	R16	1-216-049-00	METAL GLAZE 1K 5% 1/10W
L21	1-410-180-41	INDUCTOR CHIP 0.1UH	R17	1-216-095-00	METAL GLAZE 82K 5% 1/10W
Q1	8-729-123-86	TRANSISTOR 2SK238-K16	R18	1-216-049-00	METAL GLAZE 1K 5% 1/10W
Q2	8-729-116-64	TRANSISTOR 2SK508-K51	R19	1-216-049-00	METAL GLAZE 1K 5% 1/10W
Q3	8-729-109-42	TRANSISTOR 2SK94-X2	R20	1-216-245-00	METAL GLAZE 91K 5% 1/8W
Q4	8-729-100-66	TRANSISTOR 2SC1623	R21	1-216-104-00	METAL GLAZE 200K 5% 1/10W
Q5	8-729-100-66	TRANSISTOR 2SC1623	R22	1-216-049-00	METAL GLAZE 1K 5% 1/10W
Q6	8-729-102-07	TRANSISTOR 2SC2223-F13	R23	1-216-058-00	METAL GLAZE 2.4K 5% 1/10W
Q7	8-729-102-07	TRANSISTOR 2SC2223-F13	R24	1-216-105-00	METAL GLAZE 220K 5% 1/10W
Q8	8-729-123-86	TRANSISTOR 2SK238-K16	R25	1-216-049-00	METAL GLAZE 1K 5% 1/10W
Q9	8-729-109-42	TRANSISTOR 2SK94-X2	R26	1-216-089-00	METAL GLAZE 47K 5% 1/10W
Q10	8-729-102-07	TRANSISTOR 2SC2223-F13	R27	1-216-049-00	METAL GLAZE 1K 5% 1/10W
Q11	8-729-102-07	TRANSISTOR 2SC2223-F13	R28	1-216-033-00	METAL GLAZE 220 5% 1/10W
Q12	8-729-102-07	(7601L)...TRANSISTOR 2SC2223-F13	R29	1-216-097-00	METAL GLAZE 100K 5% 1/10W
Q13	8-729-901-06	TRANSISTOR DTC144EK	R30	1-216-063-00	METAL GLAZE 3.9K 5% 1/10W
Q14	8-729-901-06	TRANSISTOR DTC144EK	R31	1-216-049-00	METAL GLAZE 1K 5% 1/10W
Q15	8-729-901-06	TRANSISTOR DTC144EK	R32	1-216-031-00	(7601)...METAL GLAZE 180 5% 1/10W
Q16	8-729-901-06	TRANSISTOR DTC144EK	R33	1-216-198-00	(7601)...METAL GLAZE 1K 5% 1/8W
Q17	8-729-100-66	TRANSISTOR 2SC1623	R34	1-216-170-00	(7601)...METAL GLAZE 68 5% 1/8W
Q18	8-729-903-29	TRANSISTOR DTA144TK	R34	1-216-186-00	(7601L)...METAL GLAZE 330 5% 1/8W
			R35	1-216-025-00	METAL GLAZE 100 5% 1/10W
			R36	1-216-097-00	METAL GLAZE 100K 5% 1/10W
			R37	1-216-073-00	METAL GLAZE 10K 5% 1/10W
			R39	1-216-049-00	METAL GLAZE 1K 5% 1/10W
			R41	1-216-029-00	METAL GLAZE 150 5% 1/10W
			R42	1-216-097-00	METAL GLAZE 100K 5% 1/10W

Ref.No.	Part No.	Description				
R43	1-216-057-00	METAL GLAZE	2.2K	5%	1/10W	
R44	1-216-025-00	METAL GLAZE	100	5%	1/10W	
R45	1-216-113-00	METAL GLAZE	470K	5%	1/10W	
R46	1-216-097-00	METAL GLAZE	100K	5%	1/10W	
R47	1-216-089-00	METAL GLAZE	47K	5%	1/10W	
R48	1-216-049-00	METAL GLAZE	1K	5%	1/10W	
R49	1-216-063-00	METAL GLAZE	3.9K	5%	1/10W	
R50	1-216-049-00	METAL GLAZE	1K	5%	1/10W	
R51	1-216-049-00	METAL GLAZE	1K	5%	1/10W	
R52	1-216-065-00	METAL GLAZE	4.7K	5%	1/10W	
R54	1-216-057-00	METAL GLAZE	2.2K	5%	1/10W	
R56	1-216-186-00	METAL GLAZE	330	5%	1/8W	
R58	1-216-109-00	METAL GLAZE	330K	5%	1/10W	
R59	1-216-057-00	METAL GLAZE	2.2K	5%	1/10W	
R60	1-216-065-00	METAL GLAZE	4.7K	5%	1/10W	
R61	1-216-084-00	METAL GLAZE	30K	5%	1/10W	
R62	1-216-105-00	METAL GLAZE	220K	5%	1/10W	
R63	1-216-065-00	METAL GLAZE	4.7K	5%	1/10W	
R64	1-216-065-00	METAL GLAZE	4.7K	5%	1/10W	
R65	1-216-065-00	METAL GLAZE	4.7K	5%	1/10W	
R66	1-216-097-00	METAL GLAZE	100K	5%	1/10W	
R67	1-216-097-00	METAL GLAZE	100K	5%	1/10W	
R68	1-216-055-00	METAL GLAZE	1.8K	5%	1/10W	
R69	1-216-029-00	METAL GLAZE	150	5%	1/10W	
R70	1-216-166-00	METAL GLAZE	47	5%	1/8W	
R71	1-216-097-00	(7601L)...METAL GLAZE	100K	5%	1/10W	
R73	1-216-238-00	METAL GLAZE	47K	5%	1/8W	
R74	1-216-089-00	METAL GLAZE	47K	5%	1/10W	
R75	1-216-103-00	METAL GLAZE	180K	5%	1/10W	
R76	1-216-073-00	METAL GLAZE	10K	5%	1/10W	
R77	1-249-417-11	(7601L)...CARBON	1K	5%	1/4W	
R78	1-216-037-00	METAL GLAZE	330	5%	1/10W	
R79	1-216-073-00	METAL GLAZE	10K	5%	1/10W	
S1	1-571-401-11	SWITCH, SLIDE (SW BAND)				
S2	1-571-402-11	SWITCH, SLIDE (HOLD)				
S3	1-571-403-11	SWITCH, KEY BOARD (including D19) (7601:SW1,7601L:LW)				
S4	1-571-403-11	SWITCH, KEY BOARD (including D20) (7601:SW2-10,7601L:SW1-9)				
S5	1-571-403-11	SWITCH, KEY BOARD (including D18)(MW)				
S6	1-571-403-11	SWITCH, KEY BOARD (including D21)(FM)				
S7	1-553-856-00	SWITCH, KEY BOARD (POWER OFF)				
S8	1-571-426-11	SWITCH, SLIDE (TONE)				
SP	1-502-631-00	SPEAKER				

Ref.No.	Part No.	Description
T1	1-404-764-31	TRANSFORMER, IF 10.7MHz (7601:SW2-10,7601L:SW1-9)
T2	1-404-362-61	TRANSFORMER, IF 455kHz (7601:SW2-10 2ND,7601L:SW1-9 2ND)
T3	1-404-444-41	TRANSFORMER, IF 455kHz (MW)
T4	1-404-362-61	TRANSFORMER, IF 455kHz (7601:SW1,7601L:LW)
VR1	1-238-025-11	RES, VAR, SLIDE 50K (VOLUME)
X1	1-577-048-21	VIBRATOR, CRYSTAL (15.6MHz)
X2	1-577-049-21	VIBRATOR, CRYSTAL (16.8MHz)
X3	1-577-050-21	VIBRATOR, CRYSTAL (17.9MHz)
X4	1-577-051-11	VIBRATOR, CRYSTAL (20.4MHz)
X5	1-577-057-11	VIBRATOR, CRYSTAL (22.55MHz)
X6	1-577-058-11	VIBRATOR, CRYSTAL (24.45MHz)
X7	1-577-059-11	VIBRATOR, CRYSTAL (26.025MHz)
X8	1-577-060-11	VIBRATOR, CRYSTAL (28.525MHz)
X9	1-577-061-11	VIBRATOR, CRYSTAL (32.35MHz)

ACCESSORY & PACKING MATERIAL

1-504-059-11	MAGNETIC EARPHONE (ME-20H)
3-890-124-00	BAG, CARRYING
3-893-940-01	(Saudi Arabia)...GUIDE, SHORT WAVE
3-893-940-11	(EXCEPT FOR Saudi Arabia) ...GUIDE, SHORT WAVE
3-899-803-01	(7601)...INDIVIDUAL CARTON
3-899-804-01	(7601L)...INDIVIDUAL CARTON
3-899-805-01	CUSHION
3-898-361-01	SHEET, PROTECTION
3-990-139-01	MANUAL, INSTRUCTION
A-3604-156-A	ANTENNA ASSY (AN-61), COMPACT